

## Application

Beam style	variable-spread, tight-edged beam
Suitable for	theatre, clubs, small stage areas
Specification level	professional range
Beam angle	7° - 58°
Typical throw distance	2 - 10m

## Electrical specifications

Supply Volts	230/240V AC single phase
Max. Lamp Watts	650W
Lamp base	GY9.5
Auto-disconnect	double-pole microswitch
Cable/connection	1.5m, 3 x 1.5mm <sup>2</sup> flexible cable to bare ends
Standards Compliance	EN60598-2-17, CE marked

## Mechanical specifications

Paint/Finish	black epoxy powder paint
Lamp House Construction	extruded aluminium and sheet steel
Reflector	55mm diameter glass
Lens	120mm diameter Pebble-Convex
Mounting & suspension	steel stirrup with 12mm centre hole and DIN mounting. Stirrup rotates 360° around the body of the luminaire
Rear handle	yes
Weight/Packed weight	4.3kg / 5,7kg
Packed volume	0.021m <sup>3</sup>
Filter cut size	150 x 150mm
Accessory runners	3 slots
Safety guard	included
Colour frame	metal, 150x150mm, supplied
Lamp access	hinged base
Lens access	front and via lamp access

## Operational specifications

Focus adjustment	slide focus with control underneath
Working position	max. tilting ±90° from horizontal
Beam Shaping	using barndoor accessory
Positional adjustment	single rim-clamp tilt lock

## Lamp types

300W 230V	M38 2950K 2000 hrs
500W 230V	T18 3000K 360 hrs / T25 3000K 360 hrs / M40 2950K 2.000 hrs
650W 230V	T26 3050K 600 hrs / T27 3050K 600 hrs
300W 120V	CP81 FKW 3200K 50 hrs
650W 120V	CP89 FKR 3200K 200 hrs

### LDR recommends Philips lamps

## Accessories

Spare metal colour frame	■20100103 □20100103B ■20100103C
Spare safety guard	■20100203 □20100203B ■20100203C
4-leaf barndoor	■20100303 □20100303B ■20100303C □■20100303D ■■20100303E
Hook clamp	20100900
Safety bond	20101300
Colour scroller Xpress 13	20106013 with mounting plate 20600003

## Photometric data

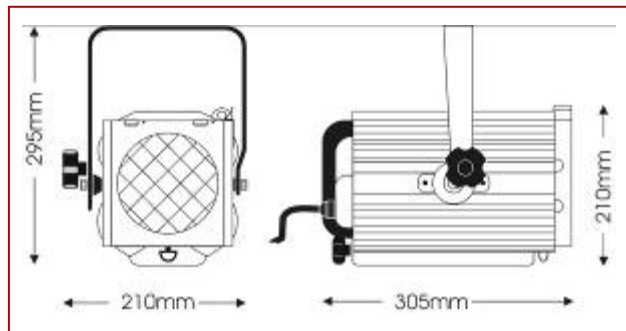
Spot focus												T27
Beam dia.	0.2	0.4	0.5	0.6	0.7	0.9	1.0	1.1	1.2	m		
lux	24800	11022	6200	3968	2756	2024	1550	1225	992			
Distance	2	3	4	5	6	7	8	9	10 m			

Flood focus											
Beam dia.	2.2	3.3	4.4	5.5	6.7	7.8	8.9	10	11.1 m		
lux	2148	955	537	344	239	175	134	106		86	
Distance	2	3	4	5	6	7	8	9		10 m	

# suono<sup>®</sup> pc 650 plus

650W pebble-convex

part number : ■10602010 □10602011 ■10602012



Quality 500/650W PC spotlight ideal for professional usage in smaller venues. The well-defined beam is adjustable by a screw-focus mechanism, and the design also includes a hinged lamp-tray and a double-microswitch interlock for safe lamp replacement.

A colour frame, safety guard and 1.5m mains cable are all included as standard.

**Specials:** also available with polished pebble convex (PPC) lens part # 10602110



Luci della Ribalta srl  
Via Berna 14  
46042 Castel Goffredo (MN), Italy  
tel: +39 0376 771777  
fax: +39 0376 772140  
[www.ldr.it](http://www.ldr.it) [info@ldr.it](mailto:info@ldr.it)