



# Welcome to the future !

## SERENILED Profile Evo 2



**The New SERENILED series lets you save energy, yet provides an incredible light intensity.**

With exclusive Crystal Clear Technology®, SERENILED profile is a high-performance LED Profile lighting fixture, which delivers a real light output and efficiency capable of replacing halogen fixtures. Equipped with the renowned SERENITY profile optical system, the SERENILED will give you a perfect framing and light pattern. Very powerful, uniform and sharp light beam.

Low heat output will allow you to use metal, glass and also plastic gobos.

Internally equipped with a noiseless and flicker free dimmer (for TV and motion picture applications), the SERENILED profile reduces operating costs with low power consumption and the long life time of its LED source.

The SERENILED can be used as a stand-alone fixture, or be remotely controlled through DMX 512.

**Light brightness equivalent to a 1 000W halogen fixture\***

**Standard color:** black, other colors available as options

**Consumption:** only 150W

**Color temperature:** 3200K (CRI >90), 5600K (CRI >80)\*\*

**DMX 512:** In/Out XLR5 connectors

**Power supply:** 100/240 VAC 50/60Hz, powerCON "true1" connectors

**Wireless DMX:** option

**Zoom:** 10/29°(ref 3204), 15/40°(ref 3203), 30/54°(ref 3205) available at purchase

**Weights:** 3203: 16.9 Kg      3204: 17.7 Kg      3205: 15.7 Kg

**Included equipment:**

One power supply cable (2m) equipped with one powerCON TRUE1 connector; Four shutters, One metal pattern holder.

\* Equivalent power is an approximate data for indication only, \*\*other color temperature upon request.

**RVE** Phone : +33 (0)1 60 61 53 00 – Fax : +33 (0)1 60 01 19 10 – E-mail : [commerce@rvetec.com](mailto:commerce@rvetec.com) – Website : [www.rvetec.com](http://www.rvetec.com)

## SERENILED Profile Main Features:

Chainable power connectors and cables (1000W total)

Hot connect/disconnect locking power connectors

Fully (360°) rotating and locking front assembly

Curves selection (tungsten, square, linear)

2 color temperature choices available at purchase:  
3200K or 5600K

Up to 8 shutters

8 or 16 bits DMX 512 mode selection

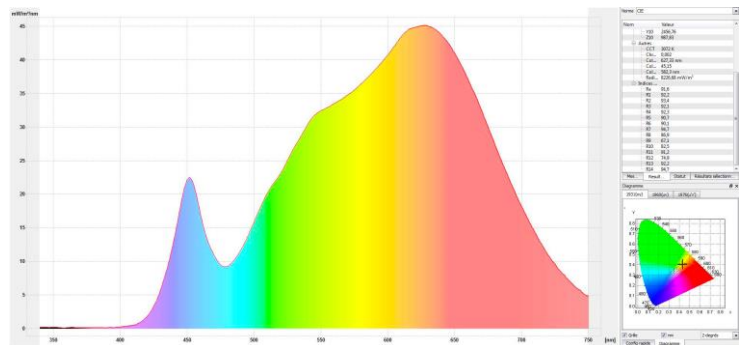
Strobe function, adjustable locally or remotely by DMX 512

Frequency adjustment, locally or remotely by DMX 512

Real time temperature monitoring and management

Gobo Holder and Iris (Options)

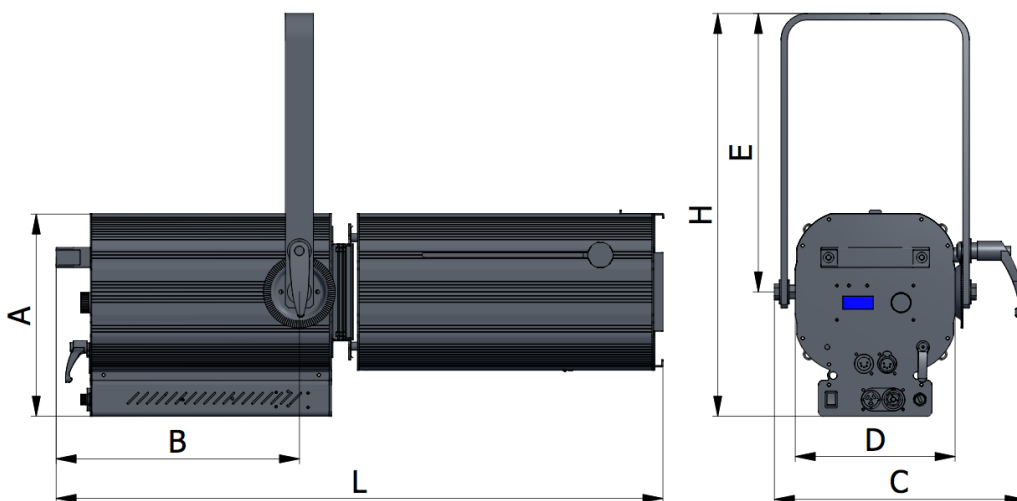
**3200K version photometric datasheet**



## Dimensions (mm):

Mounting hole diameter in the yoke: 12.5mm

Dimensions							
Zoom	A	B	L	H	E	D	C
15/40°	254mm	305mm	761mm	505mm	349mm	200mm	314mm
10/29°	254mm	305mm	889mm	505mm	349mm	200mm	314mm
30/54°	254mm	305mm	662mm	505mm	349mm	200mm	314mm



Conform to standard EN60598-2-17 07/92 – EC marked according to directives 89/336/CEE & 73/23/CEE. Environment1. SERENILED and CRYSTALCLEAR are registered trademarks of RVE SAS. This device is designed to operate on any private or public supply network standard NF EN 50160, intended for professional use. RVE reserves the right to make any change in design or construction to the equipment described without prior notification. Sereniled\_profile\_uk\_ft06\_220317.

**RVE** Phone : +33 (0)1 60 61 53 00 – Fax : +33 (0)1 60 01 19 10 – E-mail : [commerce@rvetec.com](mailto:commerce@rvetec.com) – Website : [www.rvetec.com](http://www.rvetec.com)