

## Application

Beam style	variable-spread, soft-edged beam
Suitable for	theatre, clubs, small stage areas
Specification level	professional range
Beam angle	7° - 60°
Typical throw distance	2 - 10m

## Electrical specifications

Supply Volts	230/240V AC single phase
Max. Lamp Watts	650W
Lamp base	GY9.5
Auto-disconnect	double-pole microswitch
Cable/connection	1.5m, 3x1.5mm <sup>2</sup> flexible cable to bare ends
Standards Compliance	EN60598-2-17, CE marked

## Mechanical specifications

Paint/Finish	black epoxy powder paint
Lamp House Construction	extruded aluminium and sheet steel
Reflector	55mm diameter glass
Lens	120mm diameter Fresnel
Mounting & suspension	steel stirrup with 12mm centre hole and DIN mounting. Stirrup rotates 360° around the body of the luminaire
Rear handle	yes
Weight/Packed weight	4.1kg / 5,5 kg
Packed volume	0.021m <sup>3</sup>
Filter cut size	150 x 150mm
Accessory runners	3 slots
Safety guard	included
Colour frame	metal, 150x150mm, supplied
Lamp access	hinged base
Lens access	front and via lamp access

## Operational specifications

Focus adjustment	screw focus with control at rear
Working position	max. tilting ±90° from horizontal
Beam Shaping	using barndoor accessory
Positional adjustment	single rim-clamp tilt lock

## Lamp types

300W 230V	M38 2950K 2000 hrs
500W 230V	T18 3000K 360 hrs / T25 3000K 360 hrs / M40 2950K 2.000 hrs
650W 230V	T26 3050K 600 hrs / T27 3050K 600 hrs
300W 120V	CP81 FKW 3200K 50 hrs
650W 120V	CP89 FKR 3200K 200 hrs

### LDR recommends Philips lamps

## Accessories

Spare metal colour frame	■20100103 □20100103B ■20100103C
Spare safety guard	■20100203 □20100203B ■20100203C
4-leaf barndoor	■20100303 □20100303B ■20100303C □■20100303D ■■20100303E
Hook clamp	20100900
Safety bond	20101300
Colour scroller Xpress 13	20106013 with mounting plate 20600003

## Photometric data

Spot focus	T27									
Beam dia.	0.2	0.4	0.5	0.6	0.7	0.9	1.0	1.1	1.2	m
lux	16600	7378	4150	2656	1844	1355	1038	820	664	
Distance	2	3	4	5	6	7	8	9	10	m

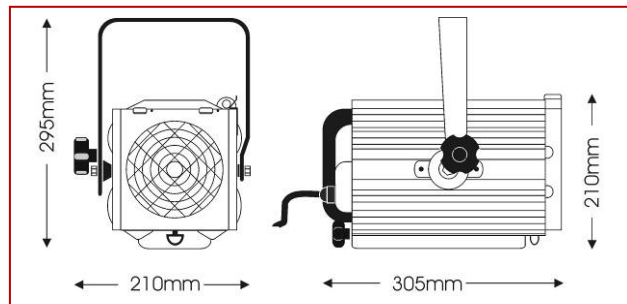
Flood focus										
Beam dia.	2.3	3.5	4.6	5.8	6.9	8.1	9.2	10.4	11.5	m
lux	3096	1376	774	495	344	253	194	153	124	
Distance	2	3	4	5	6	7	8	9	10	m

LUCI DELLA RIBALTA PROFESSIONAL LIGHTING PRODUCTS

# suono® f650 plus

## 650W fresnel

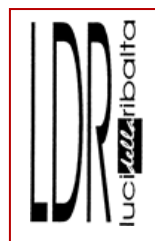
part number : ■10601010 □10601011 ■10601012



Compact, quality 500W/650W Fresnel spotlight, ideal for professional applications in smaller venues.

The soft-edged beam is adjustable by a screw-focus mechanism, and the design also includes a glass reflector and a double-microswitch interlock for safe lamp replacement.

A colour frame, safety guard and 1.5m mains cable are all included as standard.



Luci della Ribalta srl  
Via Berna 14  
46042 Castel Goffredo (MN), Italy  
tel: +39 0376 771777  
fax: +39 0376 772140  
[www.ldr.it](http://www.ldr.it) [info@ldr.it](mailto:info@ldr.it)

Issue: ap ©2014. LDR reserves the right to alter the specification without prior notice.