

LIGHTING CONTROL SYSTEM

Multibus

Your demand is an easy, flexible, architectural lighting control system !

You want

- a wide variety of wall station control finishes matching your interior design (metal, wood, carbon fiber....)
- your own engraving
- to use standard push buttons
- an universal wireless design remote control
- no specific additive hardware to program
- a direct scene set up on wall stations or on Palm
- to capture directly DMX levels to program your scenes

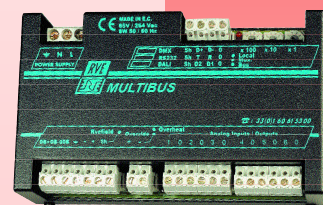
Multibus, with its most advanced technology meets exactly your needs today.

Multibus is a versatile system designed for a wide range of applications from restaurant, retail, boardroom, lecture hall..., to hotels, museums, convention centres, cruise ships.....

Multibus allows you to

- Control up to 48 dimmer circuits and 4 independent rooms
- Load and record 8 scenes per room controlled by several wall station controls
- Be controlled by a multimedia system (RS232)
- Manage easily the space partitioning in multi-purpose rooms

Examples of customized finishes (option)



Tel.: +33 (0)1 48 54 31 63 - Fax: +33 (0)1 45 28 67 53 - E-mail: commerce@rvetec.com
23, rue Beausire - 93250 VILLEMOMBLE - FRANCE - Website: www.rvetec.com

DESCRIPTION

Single room using mode, Multibus can

- Control up to 48 channels
- Program, record and playback up to 8 scenes
- Control up to 8 wall station controls
- Playback an emergency scene
- Program, record and playback one sequence

Four independent room using mode, Multibus can

- Control up to 12 channels per room (up to 4 rooms)
- Program, record and playback up to 8 scenes per room
- Control several local wall station controls per room
- Playback an emergency scene
- Program, record and playback one sequence

Multi-room using mode, Multibus can

- Control up to 4 Multi-room configuration
- Control up to 12 channels per configuration
- Program, record and playback up to 8 scenes per configuration
- Activate or deactivate, by a single push on a local wall station control, one or several available configurations
- Control up to 8 local wall station controls
- Playback an emergency scene
- Program, record and playback one sequence

TECHNICAL SPECIFICATIONS

CENTRAL PROCESSOR UNIT

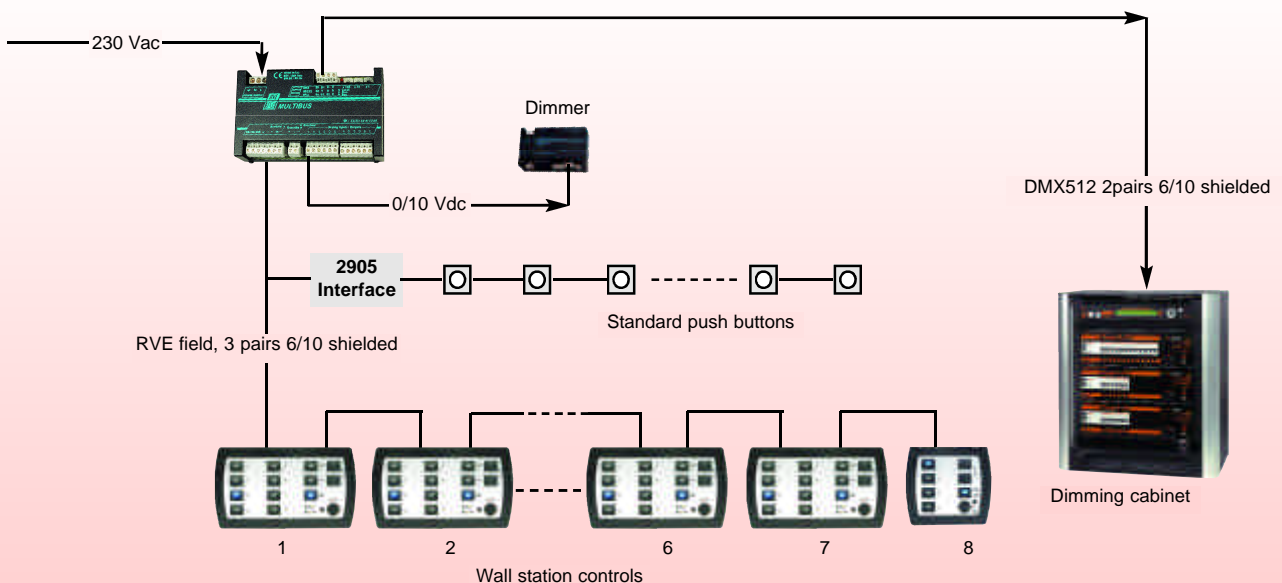
- 48 circuits
- From 1 to 4 rooms
- DMX 512 control for 48 circuits and analog 0 to+ 10 Vdc control for the six first circuits
- From 1 up to 8 local wall station controls (RVEfield bus)
- Can be enslaved to Multimedia devices (RS232)
- Modular
- Size: 8 modules, L146 x H90 x D56 mm
- Outputs on removable terminal blocks
- Weight: 0,450 kg

LOCAL WALL STATION CONTROLS

	B13	B7
Scene blue LED keys	8	4
Scene programming & recording keys	3	0
Up key	1	1
Down key	1	1
ON/OFF key	0	1
Dimensions (mm)	140x80	80x80

Standard model: black with an engraved aluminium plate
 Customized finishes (Gold, Ni-Cr...) and engraving options
 Connections on removable terminal blocks
 Control is available with push buttons of any trademark

OPERATION DIAGRAM



EC marked according to the EEC/89/336 & EEC/73/23 - Environment 1.
 This device is designed for working on private or public NF EN 50160 network.