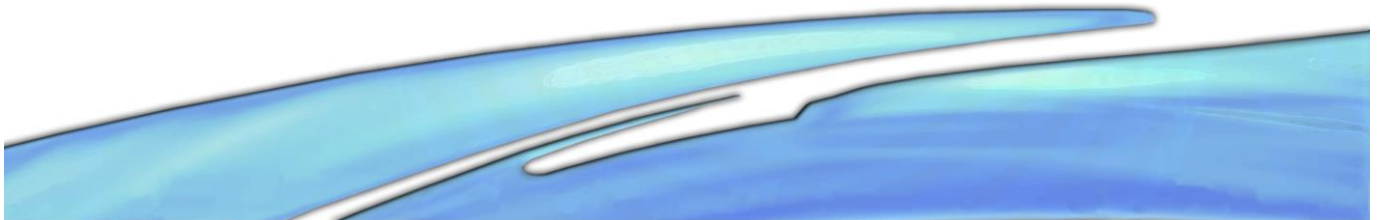




# Compact and Versatile !

## TWINLED EVO2 Profile



The TWINLED Profile is the first powerful compact LED profile especially adapted for small venues and locations with specific ceiling constraints. Very powerful yet uniform light field.

Its design and price point, rivaling professional-use halogen lighting fixtures, will let you easily adopt the powerful, reliable and energy-efficient LED technology. You will discover the incredible LED sharpness framed by the four shutters. The TWINLED Profile can also be used with cameras in television studios or on movie sets, because of its exclusive and adjustable flicker free technology.

Its forward assembly includes a filter holder and can be fully rotated (360°). A pattern (gobo) holder can be used, as well as an iris if desirable.

Light control features include multiple response curves, strobe function, dimming local (no DMX 512 needed) for stand-alone operation, or remote through DMX 512 in 8 bits or 16 bits modes.

**Standard color:** black, other colors available as options

**Light brightness equivalent to a 650W halogen fixture\***

**Color temperature:** 3200K (CRI >90), 5600K (CRI >80)\*\*

**Consumption:** only 100W

**Power supply:** 100/240 VAC 50/60Hz, yellow powerCON "true 1" connectors

**Weight:** 7.5 Kg

**Zoom:** 15°/35° (ref 3369) or 25°/45° (ref 3370) available at purchase

**DMX 512:** in/out XLR5 connectors

**Included equipment:**

One power supply cable (2m) equipped with one powerCon "true 1" connector, four shutters, one metal filter holder.

**Options:** M size gobo holder (ref 3372), iris (ref 3373)

\*Equivalent power is an approximate data for indication only, \*\*other color temperature upon request.

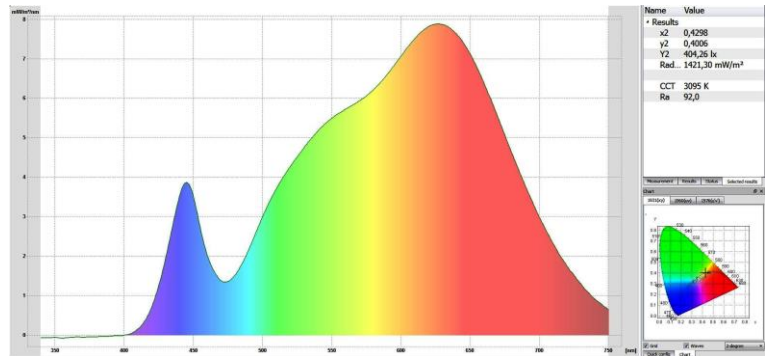
**RVE** Phone : +33 (0)1 60 61 53 00 – Fax : +33 (0)1 60 01 19 10 – E-mail : [commerce@rvetec.com](mailto:commerce@rvetec.com) – Website : [www.rvetec.com](http://www.rvetec.com)

**TWINLED Profile main features:**

- Fully (360°) rotating and locking front assembly
- Chainable power connectors and cables (1000W total)
- Hot connect/disconnect locking power connectors
- Curves selection (halogen, square, linear)
- 2 color temperature choices available at purchase: 3200K or 5600K
- Fits up to 8 shutters
- 8 or 16 bits mode DMX 512 selection
- Strobe function, adjustable locally or remotely by DMX 512
- Frequency adjustment, locally or remotely by DMX 512
- Gobo holder, iris (options)
- Sharp and uniform light field
- Single shadow projected



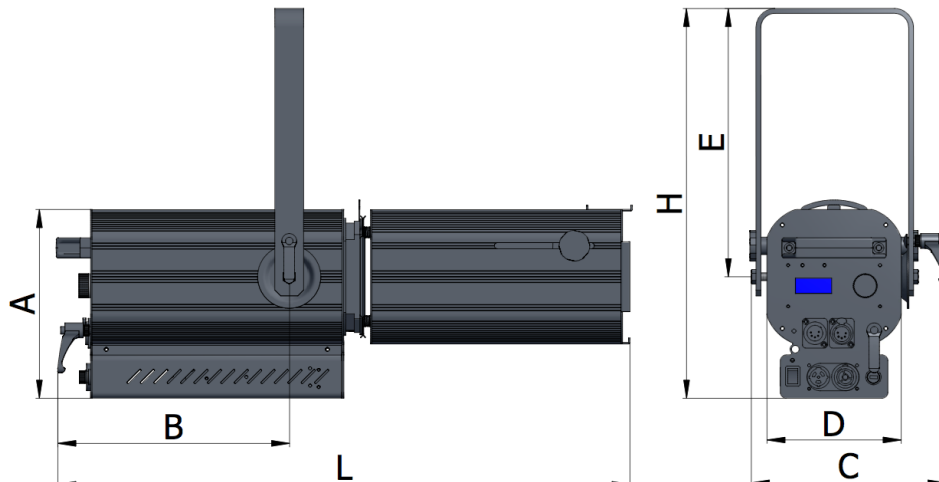
**3200K version photometric datasheet:**



**Dimensions (mm):**

Mounting hole diameter in the yoke: 10.5mm

Zooms	Réf.	A	B	L	H	E	D	C
15/35°	<b>3369</b>	197 mm	242 mm	598 mm	407 mm	280 mm	140 mm	204 mm
25/45°	<b>3370</b>	197 mm	242 mm	556 mm	407 mm	280 mm	140 mm	204 mm



TWINLED is a registered trademark of RVE SAS. This device is designed to operate on any private or public supply network, intended for professional use. RVE reserves the right to make any change in design or construction to the equipment described without prior notification. twinled\_profile\_uk\_ft05\_220317.